



Powerful.
Quiet.
Reliable.



PLATINUM DC BLUE

Variable Frequency DC Pump

Instruction Manual

Features

- Sine wave technology, super quiet <20dB
- DC voltage
- Durable, corrosion resistant
- High flow rates, no attenuation
- High performance, compact size
- For external or submersible use

Specifications

Model	Blue 800	Blue 1600	Blue 2100	Blue 3200	Blue 20000	Blue 30000
Flow Rate	793gph	1579gph	2113gph	3170gph	5263gph	7895gph
Head	11.5ft	19.7ft	16.4ft	19.7ft	19.7ft	26.3ft
Max Power Consumption	40W	70W	85W	115W	30W	50W
Min Power Consumption	10W	20W	20W	30W	150W	220W
Voltage	DC 24V	DC 24V	DC 24V	DC 24V	DC 36V	DC 36V
Dimensions	4.7"x 2.8"x 5.1"	6.5"x 3.3"x 6.3"	6.5"x 3.3"x 6.3"	7.6"x 3.9"x 7.5"	10.6" x 5.4" x 7.4"	10.6" x 5.4" x 7.4"
Inlet/Outlet	3/4"/1"	1"/1-1/4"	1"/1-1/4"	1-1/4"/1-1/2"	Inlet: 2"/2"	Inlet: 2"/2"

Instructions



Common Faults:

- ERR1** Software Overcurrent Protection
- ERR2** Hardware Overcurrent Protection
- ERR4** Under Voltage Protection
- ERR5** Over Voltage Protection
- ERR6** Phase Loss Protection
- ERR7** Locked Rotor Protection
Dry Running Protection
K-Jam Protection

M Power the pump on. It will go directly into Mode 1 (Constant Flow Mode), which also sets the starting flow for Mode 2 (Pulse Wave Mode), and Mode 3 (Gyre Wave Mode). Press the M button to change the mode. 1-XX Mode 1 (Constant Flow Mode), 2-XX Mode 2 (Pulse Wave Mode), 3-XX Mode 3 (Gyre Wave Mode).

NOTE: How the pump creates the wave: Set a starting flow for the pump and the pump will change from start flow to max flow with a different frequency. Before setting Mode 2 and Mode 3, set the starting flow by Mode 1 first.

Mode 1 (Constant Flow Mode)

- When selecting Mode 1 (Constant Flow Mode) the **(Constant)** light is on. The indicator display is 1-XX, which has 20 levels.
- Adjust the pump power level by pressing "+" or "-" to reach the desired power level.

- 1-01 Min power consumption
- 1-02
- 1-03
- ...
- 1-19
- 1-20 Max power consumption

Mode 2 (Pulse Wave Mode)

- First set the starting flow. Mode 1, the light is on. The intensity should be between 1-01 to 1-15.
- Press "M" to Mode 2 (Pulse Wave Mode). The Pulse light is on. The indicator display is 2-XX, which has 20 levels of frequency.
- Press "+" and "-" to set the wave frequency.

- 2-01 The fastest frequency
- 2-02
- 2-03
- ...
- 2-19
- 2-20 The slowest frequency

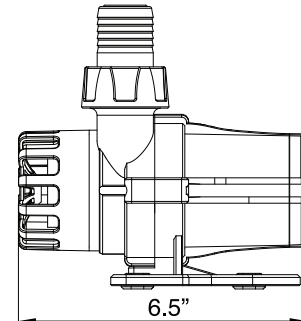
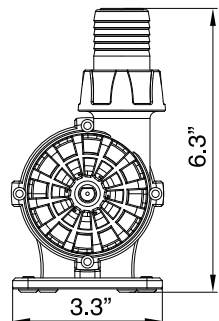
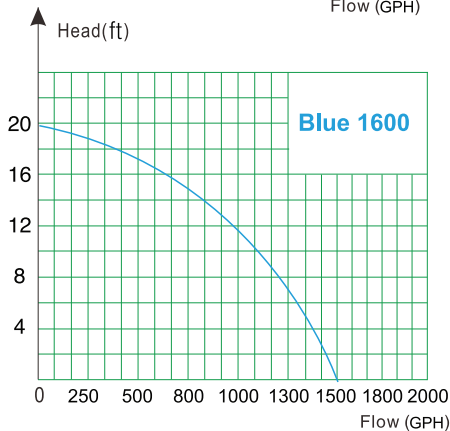
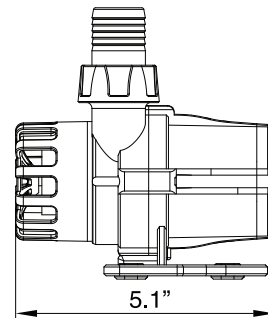
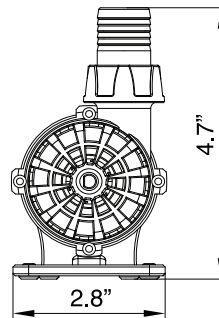
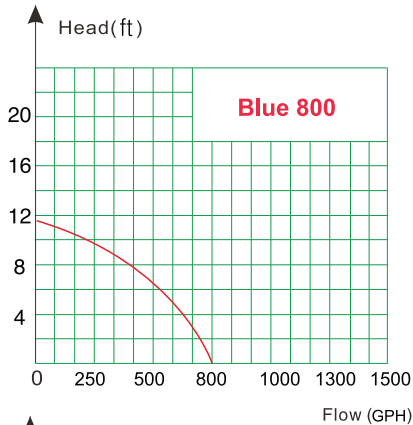
Mode 3 (Gyre Wave Mode)

- First set the starting flow. Mode 1 the **(Constant)** light is on. The intensity should be between 1-01 to 1-15.
- Press "M" to Mode 3 (Gyre Wave Mode). The Gyre light is on. The indicator display is 3-XX, which has 20 levels of frequency.
- Press "+" and "-" to set the wave frequency.

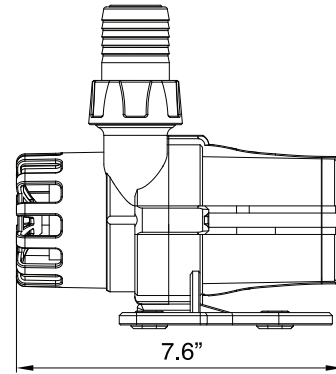
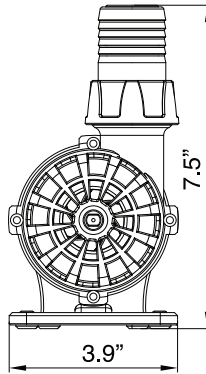
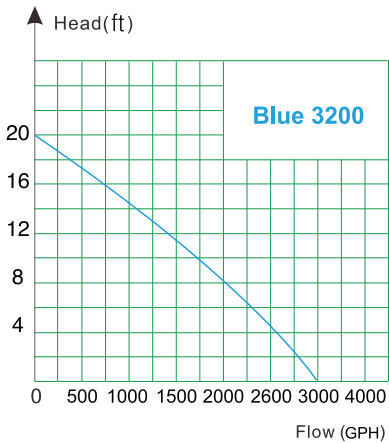
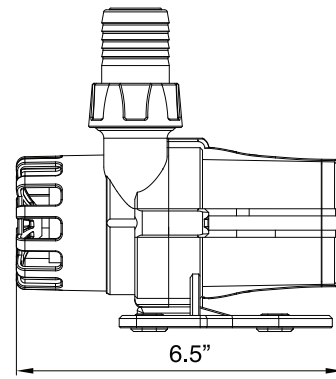
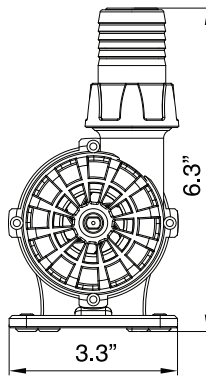
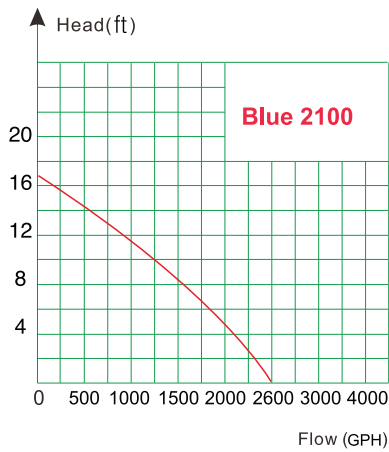
- 3-01 The fastest frequency
- 3-02
- 3-03
- ...
- 3-19
- 3-20 The slowest frequency

3

Flow rate curve



4



5

Installation Instructions

- The pump unit includes the pump body, controller, inlet filter and outlet.
- Install the filter cover onto the pump inlet, install the outlet adapter onto the pump outlet.
- After connecting the pump and controller 3-pin connectors, plug the adapter into the controller (DC plug), and connect the adapter with the AC plug.

Maintenance

- Clean the return pump regularly to ensure efficient operation
- Keep water away from the controller
- If pump does not run, disconnect the power, remove the front cover and check for debris in the inlet.
- This pump is for indoor use only. To prevent permanent damage, **keep the controller and adapter away from water.**

Notice

- To prevent permanent damage, do not allow the pump to run dry.
- Keep the controller and adapter away from water and areas where water might splash.
- The controller and adapter are factory sealed. To avoid damage, do not open the covers.

Warranty

Your warranty card must be on file with Sevenports to initiate any repairs.

The following items are not covered by the warranty:

- Non-standard operation; incorrect installation and placement, or damage caused by transport.
- This warranty only covers the damages resulting from normal usage. This warranty covers the replacement of the defective parts. In case of improper use, tampering or negligence by the buyer or user, the guarantee is void and expires immediately. The warranty is void in absence of the cash register receipt or similar document. Damages resulting from natural disasters or other external forces beyond the control of Sevenports are not covered by this warranty. At our discretion, we will replace or repair any product manufactured by us found to be defective during this time.

Platinum Pumps Warranty Registration

IMPORTANT: This is your Platinum Pumps Warranty Registration. To receive full warranty protection, fill out and return this form with a copy of your sales receipt within 10 days of purchase. For detailed warranty information, visit www.sevenports.com.

Sevenports LLC
1737 Louisville Dr • Knoxville, TN 37921
626/333-5372

Last Name _____		First Name _____	
Street Address _____		Apt # _____	
City _____		State _____	Zip _____
Email _____			
Date of Purchase: Mo. _____ Day _____ Yr. _____			
Model No(s). _____		Price(s) _____	
Customer Signature _____			

Dealer Name _____			
Street Address _____			
City _____		State _____	Zip _____